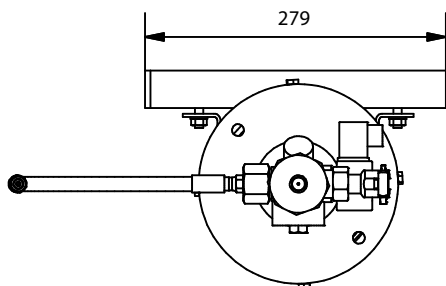
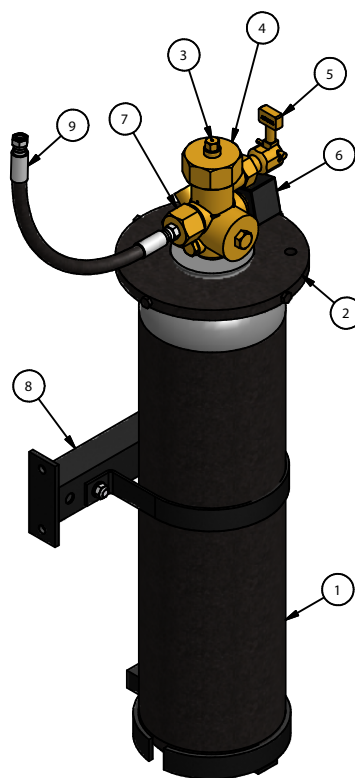
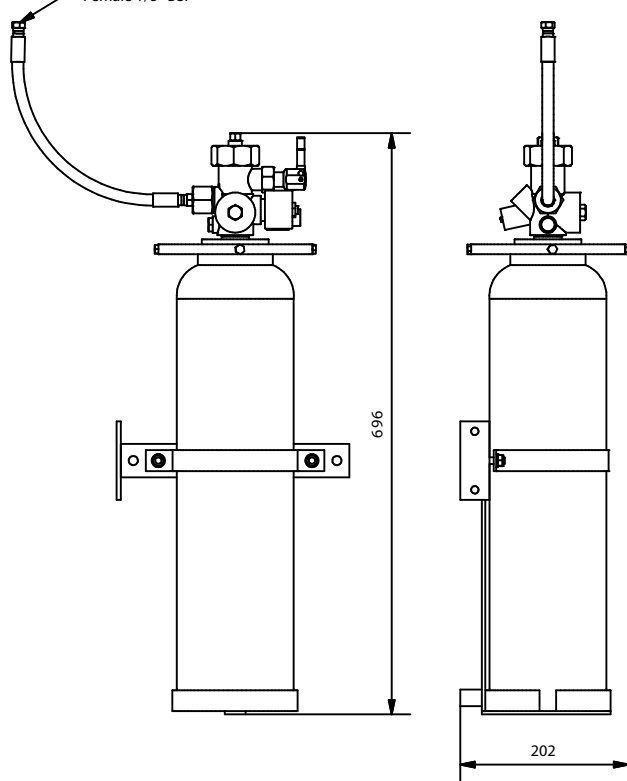


# CO2 PILOT BOTTLE

## AEX/BP

Parts list	
Pieza Número	Reference and Description
1	BCO6 - 6.7 L Cylinder
2	BRW80CO - Flange for CO2 cylinders
3	AEX-VA - Relief valve
4	AEX/VCO100S - CO2 valve for 6.7 to 80 L cylinders
5	AEX/PM160A - Manual actuator
6	AEX/VS24 - Electric actuator.
7	V-RH21M18 - H W21.8 x 1/14" M G1/8" fitting
8	HP274 - Ironwork for pilot bottle
9	LD18BP - Latiguillo Flexible Hembra G1/8" de 700mm

Female 1/8" BSP



Specifications	
Name	Value
Cylinder capacity	6.7 L
Cylinder material	34CrMo4
Body finished	Painted in black (RAL 9004)
Warhead finished	Painted in gray (RAL 7004)
Cylinder test pressure	250 bar
Content	CO <sub>2</sub>

Description: Cylinder used in systems with directional valves to produce the opening of the directional valve corresponding to the risk to be protected and then the discharge of the necessary cylinders.

Code sheet:	Group sheet:	Reference:	Drawn:	Date:	Revised:	Date:	Review:	Format:
AEX-FTC-02-042	CO <sub>2</sub>	AEX/BP	DCM	10/08/2017	MRC	10/08/2017	1	A4